



# Headsail

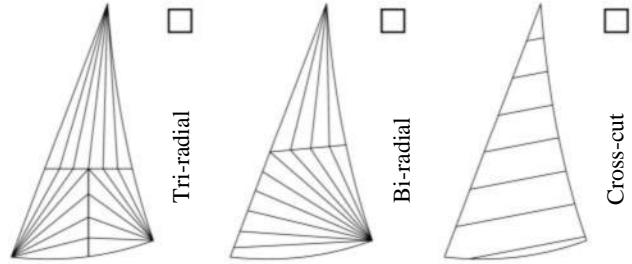
Sailservice Scandinavia  
 www.sailservice-scandinavia.com  
 E-post: info@sailservice-scandinavia.com  
 Telefon: 072 150 6117

Customer:.....

Boat type/name:.....

Preferences

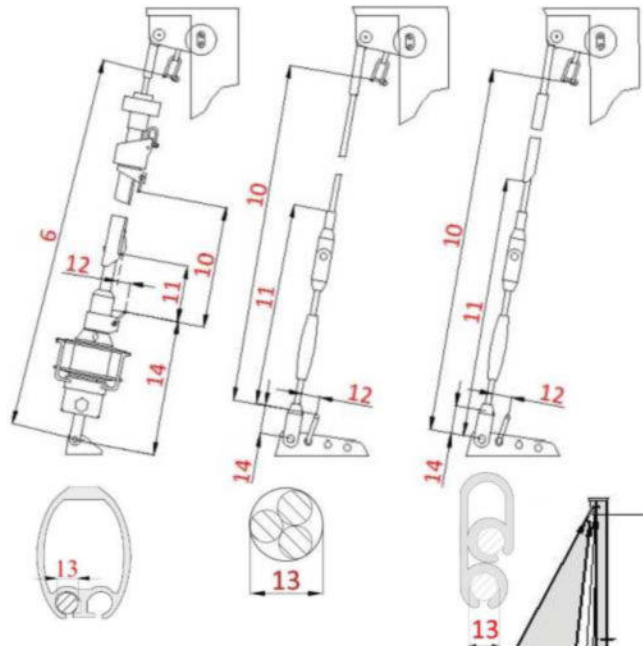
- UV Protection, col.: \_\_\_\_\_, side: \_\_\_\_\_
- Luff foam
- Shape stripes, col: \_\_\_\_\_, pcs.: \_\_\_\_\_
- Reef marks , col.: \_\_\_\_\_, pcs.: \_\_\_\_\_
- Window, pcs: \_\_\_\_\_
- Advertising: \_\_\_\_\_



Dimension

- Jib/ Genoa
- Area \*: \_\_\_\_\_ m<sup>2</sup>
- 1 Luff: \_\_\_\_\_ mm
  - 2 Leach: \_\_\_\_\_ mm
  - 3 Foot: \_\_\_\_\_ mm
  - 4 Distance clew –deck: \_\_\_\_\_ mm
  - 5 LPG: \_\_\_\_\_ % J

- Furler
- Forestay
- Tuff Luff



By halyard, hoist a measurement tape and measure distance from:

- 6\* intersection forestay and deck \_\_\_\_\_ mm
- 7\* mast heel \_\_\_\_\_ mm
- 8 front end headsail track \_\_\_\_\_ mm
- 9 board opposit superstructure \_\_\_\_\_ mm

**Furler / forestay details:**

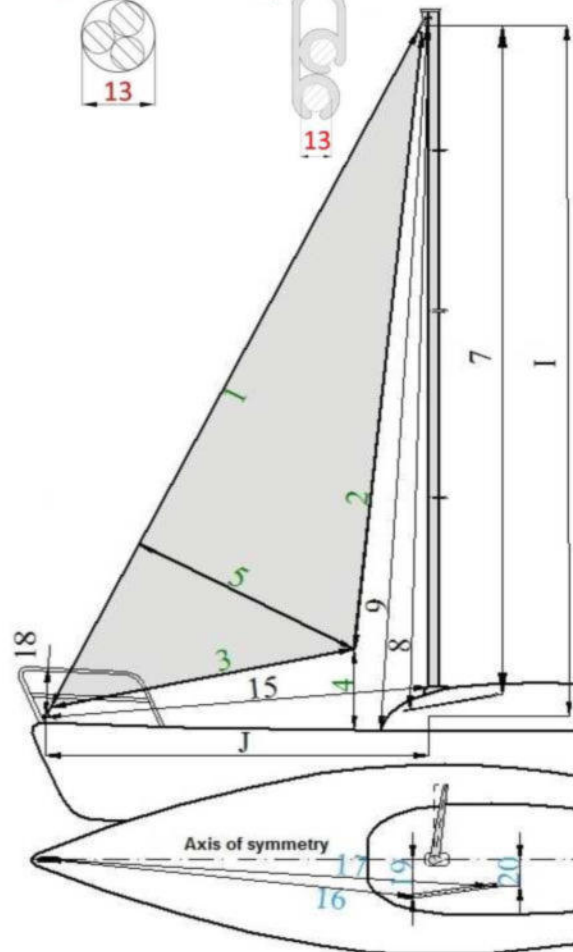
- 10 Max length luff \_\_\_\_\_ mm
  - 11 Tack pin to feeder \_\_\_\_\_ mm
  - 12 Tack set back \_\_\_\_\_ mm  
(moveable fittings keep at 45° angle)
  - 13 Luff rope Ø \_\_\_\_\_ mm
- Furler maker/ model \_\_\_\_\_

Distance from intersection forestay and deck to:

- 14 tack pin \_\_\_\_\_ mm
- 15\* mast heel \_\_\_\_\_ mm
- 16\* front end headsail track \_\_\_\_\_ mm
- 17\* back end headsail track \_\_\_\_\_ mm
- 18 upper edge of bow pulpit \_\_\_\_\_ mm

Complementary dimension for jib/genoa track:

- 19 Axis of symmetry to front end headsail track \_\_\_\_\_ mm
- 20 Axis of symmetry to back end headsail track \_\_\_\_\_ mm



\* basic information to design sail

\_\_\_\_\_  
 Signature, date